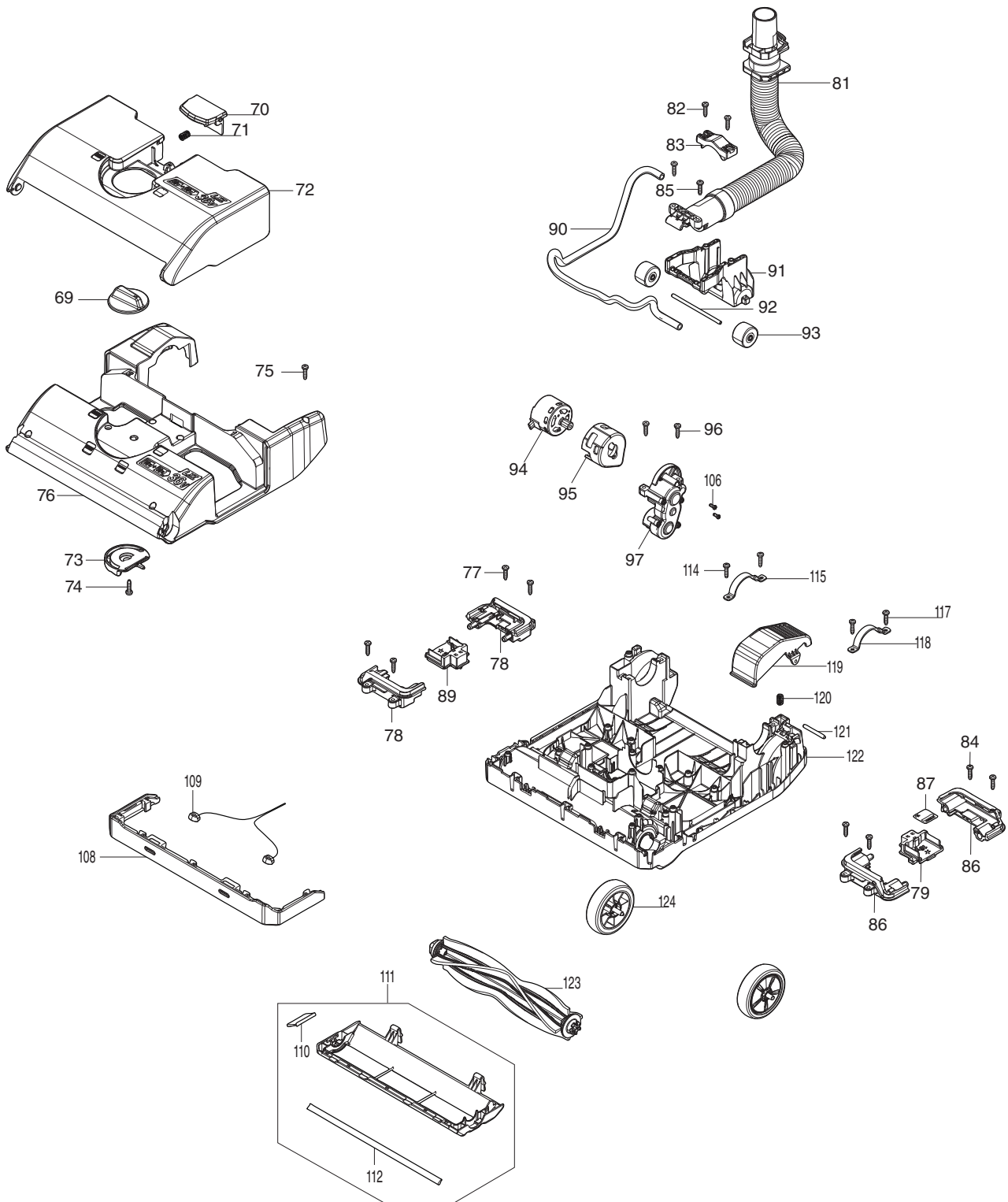


DVC560 1/2



## PARTS LIST

| Item No | Type | Part No       | Description                 | Qty | Unit |
|---------|------|---------------|-----------------------------|-----|------|
| 001     |      | 266326-2      | TAPPING SCREW 4X18          | 4   | PC.  |
| 002     |      | 183R12-7      | HANDLE SET                  | 1   | SET  |
| 003     |      | 140S35-4      | SWITCH PLATE COMPLETE       | 1   | PC.  |
| 003     | INC. | 8020C7-1      | SWITCH LABEL                | 1   | PC.  |
| 004     |      | 631973-2      | SWITCH UNIT                 | 1   | PC.  |
| 006     |      | 327555-3      | PIPE A                      | 1   | PC.  |
| 007     |      | 632R23-4      | LEAD UNIT                   | 1   | PC.  |
| 008     |      | 266326-2      | TAPPING SCREW 4X18          | 4   | PC.  |
| 009     |      | 140U72-0      | TOP COVER COMPLETE          | 1   | PC.  |
| 010     |      | 266326-2      | TAPPING SCREW 4X18          | 2   | PC.  |
| 011     |      | 266326-2      | TAPPING SCREW 4X18          | 2   | PC.  |
| 012     |      | 632R22-6      | LEAD UNIT                   | 1   | PC.  |
| 013     |      | 412455-1      | INLET                       | 1   | PC.  |
| 014     |      | 213663-5      | O RING 55                   | 1   | PC.  |
| 015     |      | 140V53-0      | INDICATION CIRCUIT COMPLETE | 1   | PC.  |
| 016     | 1    | 140S37-0      | HOSE COMPLETE 28-0.7        | 1   | PC.  |
| 016     | 2    | 141F95-1      | HOSE COMPLETE 28-0.7        | 1   | PC.  |
| 017     |      | 127522-6      | PIPE ASSEMBLY               | 1   | PC.  |
| 018     |      | 266326-2      | TAPPING SCREW 4X18          | 9   | PC.  |
| 019     |      | 412449-6      | SIDE DUST BOX COVER         | 1   | PC.  |
| 020     |      | 422580-0      | SEAL RING B                 | 1   | PC.  |
| 021     |      | 632R24-2      | LEAD UNIT                   | 1   | PC.  |
| 022     |      | 941051-3      | FLAT WASHER 4               | 1   | PC.  |
| 023     |      | 412465-8      | STOPPER PLATE               | 1   | PC.  |
| 024     |      | 232627-0      | TORSION SPRING 9            | 1   | PC.  |
| 025     |      | 266326-2      | TAPPING SCREW 4X18          | 1   | PC.  |
| 026     |      | 857N02-9      | DVC560 NAME PLATE           | 1   | PC.  |
| 027     |      | 266326-2      | TAPPING SCREW 4X18          | 2   | PC.  |
| 028     |      | 412444-6      | NOZZLE HOLDER               | 2   | PC.  |
| 029     |      | 412464-0      | LOCK LEVER A                | 1   | PC.  |
| 030     |      | 231309-1      | COMPRESSION SPRING 5        | 1   | PC.  |
| 031     |      | 412463-2      | STAY                        | 1   | PC.  |
| 032     |      | 234391-9      | COMPRESSION SPRING 8        | 1   | PC.  |
| 033     | 3    | 141X58-5      | * DUST BOX COMPLETE         | 1   | PC.  |
| 033     | 3    | INC. 8023P0-4 | * CAUTION LABEL             | 1   | PC.  |
| 034     |      | 140V23-9      | VALVE COMPLETE              | 1   | PC.  |
| 035     | 2    | 191T96-3      | FILTER BAG 10PC SET         | 10  | SET  |
| 036     |      | 412446-2      | LATCH                       | 1   | PC.  |

| Item No | Type | Part No  | Description                   | Qty | Unit |
|---------|------|----------|-------------------------------|-----|------|
| 037     |      | 191E39-5 | MAIN FILTER H SET             | 1   | PC.  |
| 038     |      | 422578-7 | SEAL RING A                   | 1   | PC.  |
| 039     |      | 412445-4 | DUST BOX COVER                | 1   | PC.  |
| 040     |      | 266326-2 | TAPPING SCREW 4X18            | 7   | PC.  |
| 041     |      | 140S32-0 | MOTOR COVER COMPLETE          | 1   | PC.  |
| 042     |      | 422376-9 | SUPPORT RING                  | 1   | PC.  |
| 043     |      | 161804-6 | FAN COVER                     | 1   | PC.  |
| 044     |      | 252268-6 | HEX. NUT M6                   | 1   | PC.  |
| 045     |      | 322407-3 | WASHER 6                      | 1   | PC.  |
| 046     |      | 241851-4 | FAN 94                        | 1   | PC.  |
| 047     |      | 313062-2 | FLANGE                        | 1   | PC.  |
| 048     |      | 266326-2 | TAPPING SCREW 4X18            | 3   | PC.  |
| 049     |      | 456736-3 | FAN BASE                      | 1   | PC.  |
| 050     |      | 619517-8 | ROTOR                         | 1   | PC.  |
| 051     |      | 629A10-0 | STATOR                        | 1   | PC.  |
| 052     |      | 687464-1 | SUPPORT                       | 1   | PC.  |
| 053     |      | 620526-2 | CONTROLLER B                  | 1   | PC.  |
| 054     |      | 266786-8 | + PAN HEAD TAPPING SCREW 2X10 | 4   | PC.  |
| 055     |      | 422370-1 | BAND DAMPER C                 | 1   | PC.  |
| 056     |      | 424837-5 | SUPPORT A                     | 1   | PC.  |
| 057     |      | 183D13-1 | MOTOR HOUSING SET             | 1   | SET  |
| 059     |      | 266326-2 | TAPPING SCREW 4X18            | 4   | PC.  |
| 061     | 3    | 620G60-4 | CONTROLLER                    | 1   | PC.  |
| 069     |      | 412438-1 | HEIGHT CHANGE LEVER           | 1   | PC.  |
| 070     |      | 412440-4 | LOCK LEVER B                  | 1   | PC.  |
| 071     |      | 234332-5 | COMPRESSION SPRING 7          | 1   | PC.  |
| 072     |      | 412437-3 | BATTERY COVER                 | 1   | PC.  |
| 073     |      | 412439-9 | CAM                           | 1   | PC.  |
| 074     |      | 266326-2 | TAPPING SCREW 4X18            | 1   | PC.  |
| 075     |      | 266326-2 | TAPPING SCREW 4X18            | 8   | PC.  |
| 076     |      | 412420-0 | UPPER HOUSING                 | 1   | PC.  |
| 077     |      | 266326-2 | TAPPING SCREW 4X18            | 4   | PC.  |
| 078     |      | 183R14-3 | TERMINAL CASE SET             | 1   | SET  |
| 078     | INC. | 263005-3 | RUBBER PIN 6                  | 2   | PC.  |
| 079     |      | 644809-6 | TERMINAL                      | 1   | PC.  |
| 081     | 1    | 140S36-2 | HOSE COMPLETE 28-0.2          | 1   | PC.  |
| 081     | 2    | 141F94-3 | HOSE COMPLETE 28-0.2          | 1   | PC.  |
| 082     |      | 266326-2 | TAPPING SCREW 4X18            | 2   | PC.  |
| 083     |      | 412435-7 | CAM PLATE                     | 1   | PC.  |

| Item No | Type | Part No       | Description             | Qty | Unit |
|---------|------|---------------|-------------------------|-----|------|
| 084     |      | 266326-2      | TAPPING SCREW 4X18      | 4   | PC.  |
| 085     |      | 266326-2      | TAPPING SCREW 4X18      | 2   | PC.  |
| 086     |      | 183R14-3      | TERMINAL CASE SET       | 1   | SET  |
| 086     | INC. | 263005-3      | RUBBER PIN 6            | 2   | PC.  |
| 087     |      | 857N09-5      | DVC560 SERIAL NO. LABEL | 1   | PC.  |
| 089     |      | 644809-6      | TERMINAL                | 1   | PC.  |
| 090     |      | 422582-6      | TUBE                    | 1   | PC.  |
| 091     |      | 412433-1      | FRONT ROLLER HOLDER     | 1   | PC.  |
| 092     |      | 256954-1      | FRONT ROLLER SHAFT      | 1   | PC.  |
| 093     |      | 412434-9      | FRONT ROLLER            | 2   | PC.  |
| 094     |      | 629A11-8      | DC MOTOR                | 1   | PC.  |
| 095     |      | 422583-4      | TUBE JOINT              | 1   | PC.  |
| 096     |      | 266326-2      | TAPPING SCREW 4X18      | 2   | PC.  |
| 097     |      | 122A42-1      | BRUSH GEAR ASSEMBLY     | 1   | PC.  |
| 106     |      | 265199-0      | + PAN HEAD SCREW M3X8   | 2   | PC.  |
| 108     |      | 422574-5      | BUMPER                  | 1   | PC.  |
| 109     |      | 620D19-3      | LED CIRCUIT             | 1   | PC.  |
| 110     |      | 422577-9      | SIDE BRUSH              | 1   | PC.  |
| 111     |      | 127521-8      | BOTTOM PLATE ASSEMBLY   | 1   | PC.  |
| 111     | INC. |               | Item No. 110,112        |     |      |
| 112     |      | 422576-1      | BRUSH                   | 1   | PC.  |
| 114     |      | 266326-2      | TAPPING SCREW 4X18      | 2   | PC.  |
| 115     |      | 347719-3      | HINGE HOLDER            | 1   | PC.  |
| 116     |      | 632R30-7      | SWITCH UNIT             | 1   | PC.  |
| 117     |      | 266326-2      | TAPPING SCREW 4X18      | 2   | PC.  |
| 118     |      | 347719-3      | HINGE HOLDER            | 1   | PC.  |
| 119     | 1    | 412454-3      | FOOT LEVER              | 1   | PC.  |
| 119     | 2    | 413J90-8      | FOOT LEVER              | 1   | PC.  |
| 120     |      | 234339-1      | COMPRESSION SPRING 6    | 1   | PC.  |
| 121     |      | 256965-6      | PIN 4                   | 1   | PC.  |
| 122     |      | 140S23-1      | LOWER HOUSING COMPLETE  | 1   | PC.  |
| 122     | INC. | 8020C3-9      | CAUTION LABEL           | 1   | PC.  |
| 123     | 2    | 1910T8-6      | BRUSH COMPLETE SET      | 1   | PC.  |
| 123     | 2    | INC. 141K74-9 | BRUSH METAL HOLDER COM. | 1   | PC.  |
| 124     |      | 140S28-1      | CASTER 75 COMPLETE      | 2   | PC.  |
| 125     |      | 413R43-5      | * FOOT LEVER STOPPER    | 1   | PC.  |
| 126     |      | 266326-2      | * TAPPING SCREW M4X18   | 1   | PC.  |
| A01     |      | 191D65-8      | LONG SASH NOZZLE SET    | 1   | PC.  |
| A02     |      | 191D67-4      | ROUND BRUSH SET         | 1   | PC.  |

| Item No | Type | Part No  | Description        | Qty | Unit |
|---------|------|----------|--------------------|-----|------|
| A03     |      | 450128-8 | BATTERY COVER      | 1   | PC.  |
| A04     |      | -----    | BATTERY CHARGER    | 1   | PC.  |
| A05     |      | -----    | 18V LI-ION BATTERY | 1   | PC.  |

# SERVICE CHANGES: DVC560

## 1. Changes on Dust Box Complete (DS880)

| Item No. | Description        | Type 1   | Type 2   |
|----------|--------------------|----------|----------|
| 33       | DUST BOX COMPLETE  | 141K73-1 | 141X58-5 |
| 125      | FOOT LEVER STOPPER | -----    | 413R43-5 |
| 126      | TAPPING SCREW 4X18 | -----    | 266326-2 |

Above parts are completely interchangeable as a set.

